

D

C

B

A

4

3

2

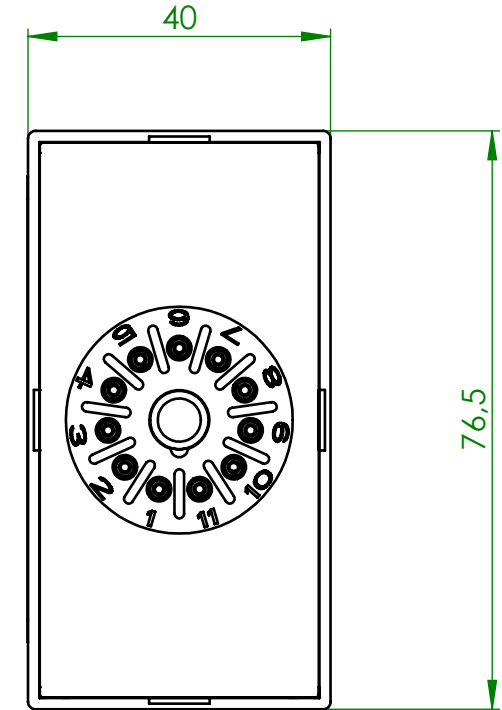
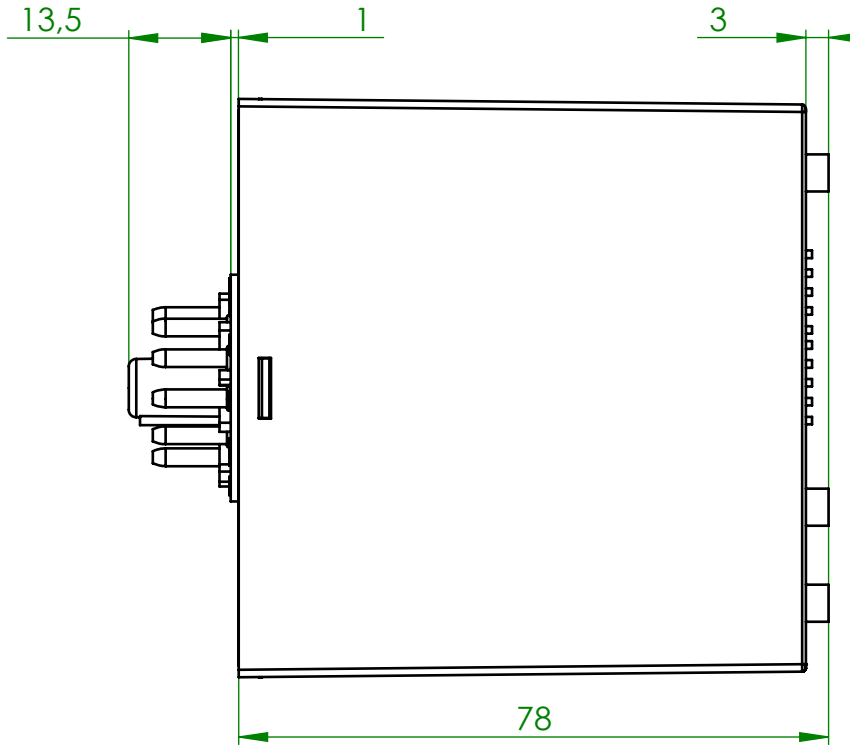
1

4

3

2

1



THIS DRAWING IS THE PROPERTY OF BEA AND MAY NOT BE REPRODUCED WITHOUT WRITTEN AGREEMENT

**MODIFICATIONS LIST**

<u>DATE :</u>	<u>BY :</u>	<u>DESCRIPTION :</u>	<u>REL :</u>	<u>VER :</u>
-	-	-	-	-
-	-	-	-	-
-	-	-	-	-
-	-	-	-	-
-	-	-	-	-



Parc scientifique du Sart-Tilman  
5, allée des noisetiers  
4031 Angleur - BELGIUM  
Tel.: +0032(4) / 361.68.68

PROD. NAME : MATRIX

TITLE : MATRIX DIMENSIONS

GENERAL TOLERANCE : -

MATERIAL:-

TRETEMENT:-

C.A.O. FILE : D:\!\_Travail\41\_5741 MATRIX DIMENSIONS

DOC.: PA

OBJET : 41.5741

VER.: NA

PAGE: 1 / 1

SC : 1:1

DRAWER : PR

SIZE : A4

DATE : 21/02/2003

VERIFIED

APPROVED

D

C

B

A